

## Airborne SLAM revolution

Take your ZEB Horizon to the skies with our UAV mount. Capture from new heights with the best SLAM based UAV system.

### Technical specification

Range	100m
FOV	360° x 270°
Protection class	IP 54
Processing	Post
Scanner weight	3.7kg
Colourised point cloud	✓*
Intensity	✓
Referenced imagery	✓*
Scanner points per second	300,000
No. of sensors	16
Relative accuracy	1 - 3 cm**
Raw data file size	100-200MB /min

### GeoSLAM Hub

Transform your 3D scan data into actionable information  
 Automatic registration of multiple scans and geo-referencing  
 Import and manipulate data from any GeoSLAM device  
 Quick & easy workflows with 'drag and drop' functionality  
 Draw packages - Start, Plan, BIM, Mining and Pro

### Accessories

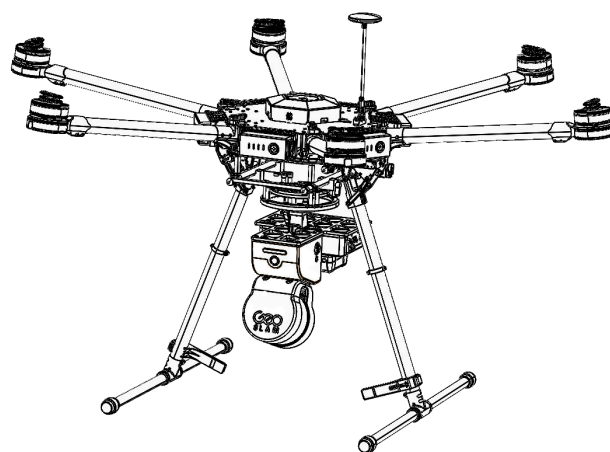
**UAV Mount** - Flexible airborne integration

**Pole** - Elevate your device into ceiling voids

**Cradle** - Lower your device into shafts

**ZEB Cam** - Colourise your pointcloud

**Handheld scanning** - ZEB Horizon can be used with the handle for handheld scanning



+61 8 6189 8709

Level 11, 125 St Georges Tce

Perth, WA 6000

[www.caroni.com.au](http://www.caroni.com.au)